



### TECHNICAL DATA

|                         |                            |
|-------------------------|----------------------------|
| RATED FLOW [M3/H]       | 4m3/hr                     |
| MAX FLOW                | 8m3/hr                     |
| MAX HEAD                | 65m                        |
| OPTIMUM OPERATING RANGE | 4.8m3/hr @ 60.3m 39.4% eff |
|                         | 10m3/hr @ 50.8m 56.6% eff  |
| WORKING AIR TEMP        | 0°C - 40°C                 |
| LIQUID TEMPERATURE      | -15°C - 120°C              |
| HIGHEST EFFICIENCY      | 58.4%                      |
| MAXIMUM PUMP PRESSURE   | 33 bar                     |
| NET WEIGHT (KG)         | 38kg                       |

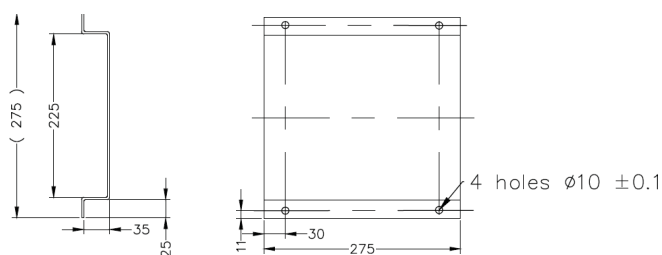
|                       |                             |
|-----------------------|-----------------------------|
| RATED VOLTAGE/CURRENT | Single phase 230V +10% - 6% |
| RATED CURRENT         | 7.66 amps                   |
| CAPACITOR             | 200uF start, 35uF run       |
| POWER (KW)            | 2.2kW 2 pole                |
| MOTOR IP RATING       | IP55                        |
| MOTOR INSULATION      | Class F                     |
| MOTOR EFFICIENCY STD  | I.E.3                       |
| MOTOR EFFICIENCY      | 84.2%                       |
| COS Ø                 | 0.84                        |
| MECHANICAL SEAL       | AS-L-12                     |
| OUTLET DIN FLANGE     | DN32                        |

### INCLUDES

- VMS Pump
- Pressure Switch – 25 Bar
- Counter Flange (Available in DN25 to DN65)
- Fiber Gaskets to suit counter flanges
- Watermarked Spring Check Valve
- Manifold (304 Stainless Steel)
- 30 Bar Liquid Filled Pressure Gauge
- Galvanised Single Platform
- Ball Valve (304 Stainless Steel)
- Braided Hose 20 Bar 1.5m 1" BSPF
- Pressure Tank Included in Scope of Supply

### DIMENSIONS

BASE WIDTH & LENGTH 275



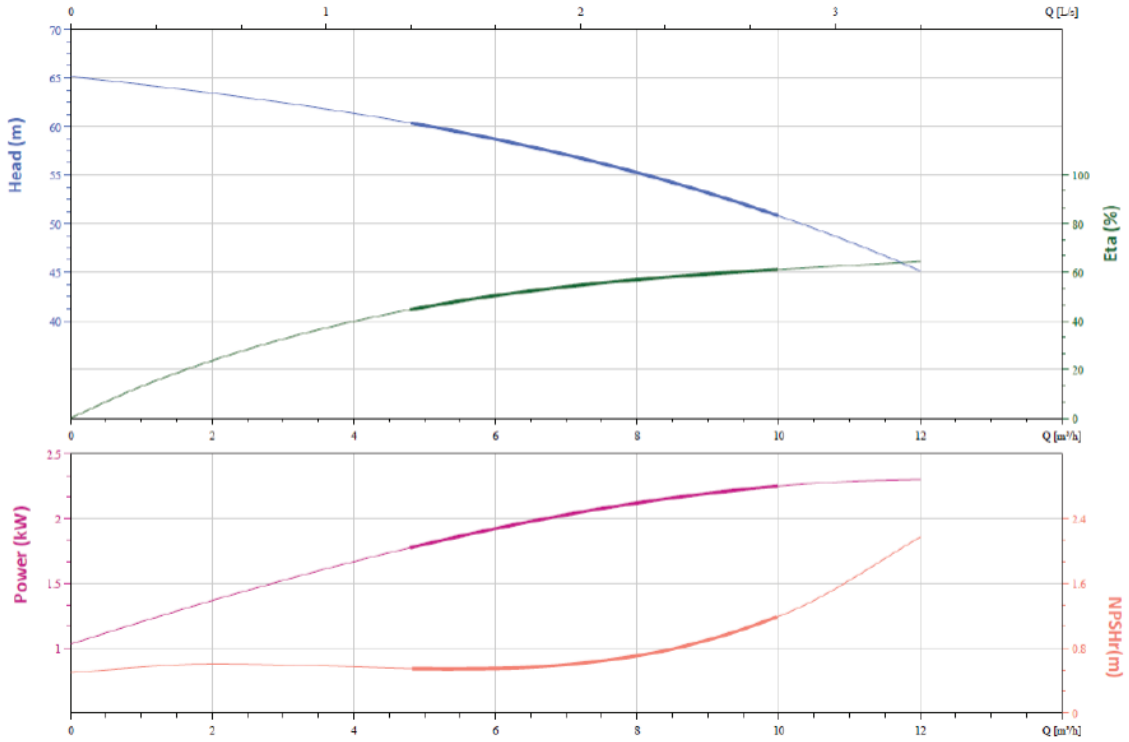
# PRODUCT DATA SHEET

SUMMIT SERIES VERTICAL MULTISTAGE

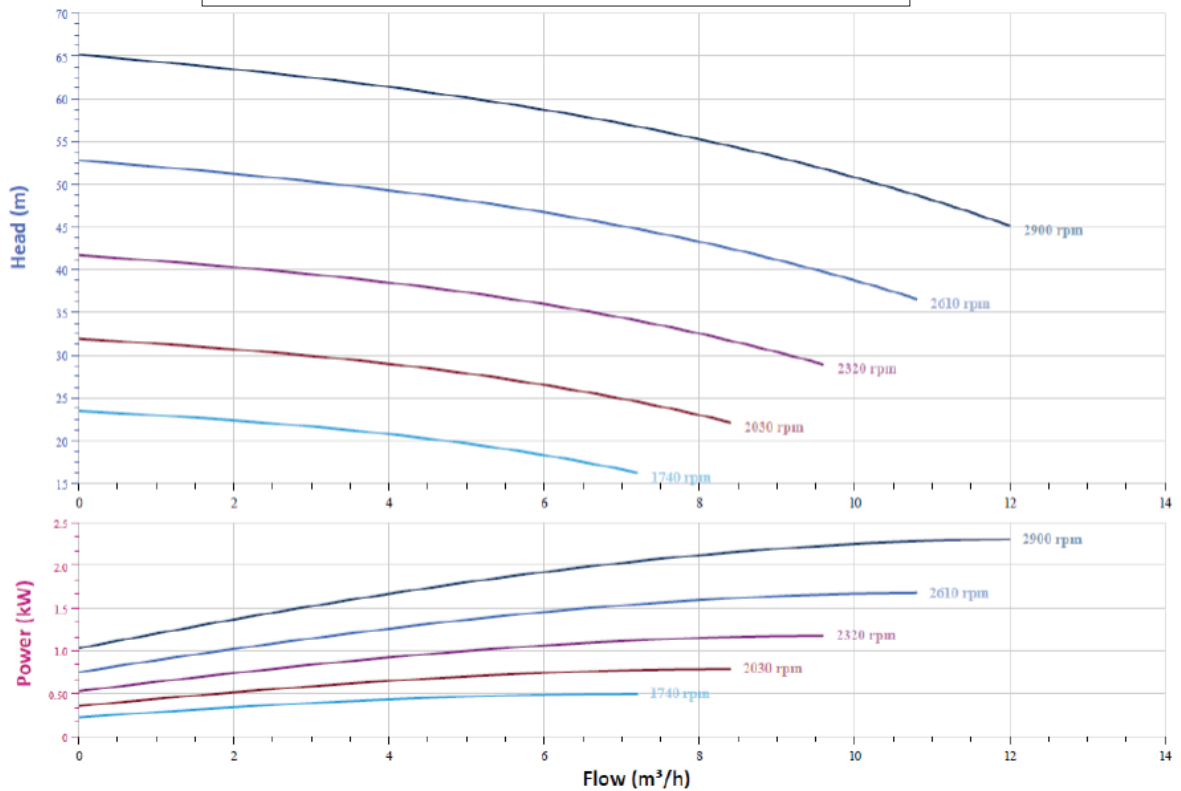
PRESSURE SWITCH KITS

BIA-1VMS10/6M-MP • 812327

## CURVE



## VFD CURVE



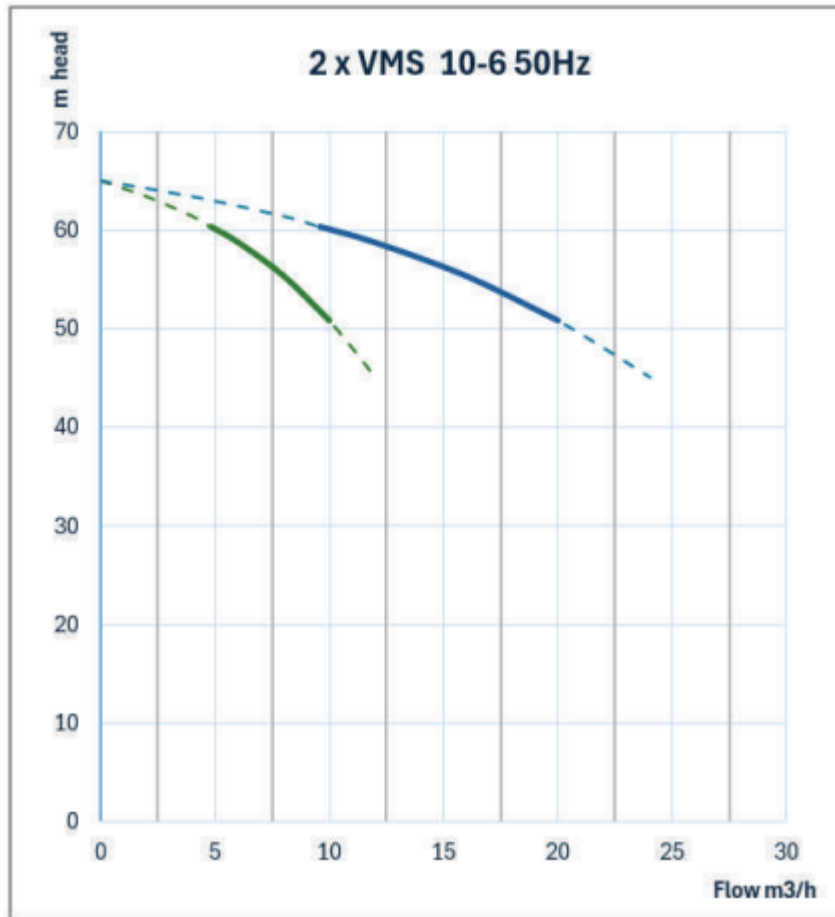
# PRODUCT DATA SHEET

SUMMIT SERIES VERTICAL MULTISTAGE

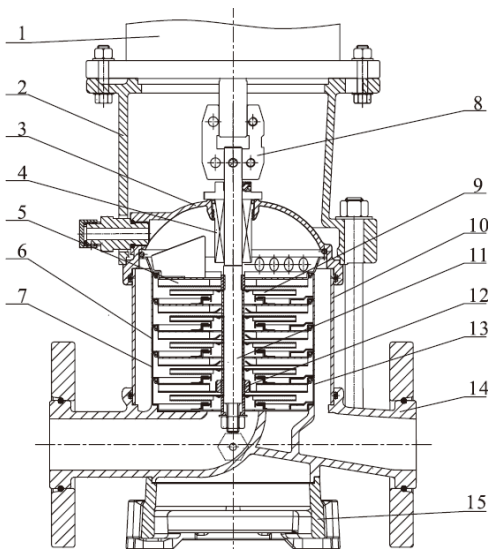
PRESSURE SWITCH KITS

BIA-1VMS10/6M-MP • 812327

## DUAL PUMP CURVE



## CUTAWAY AND MATERIALS



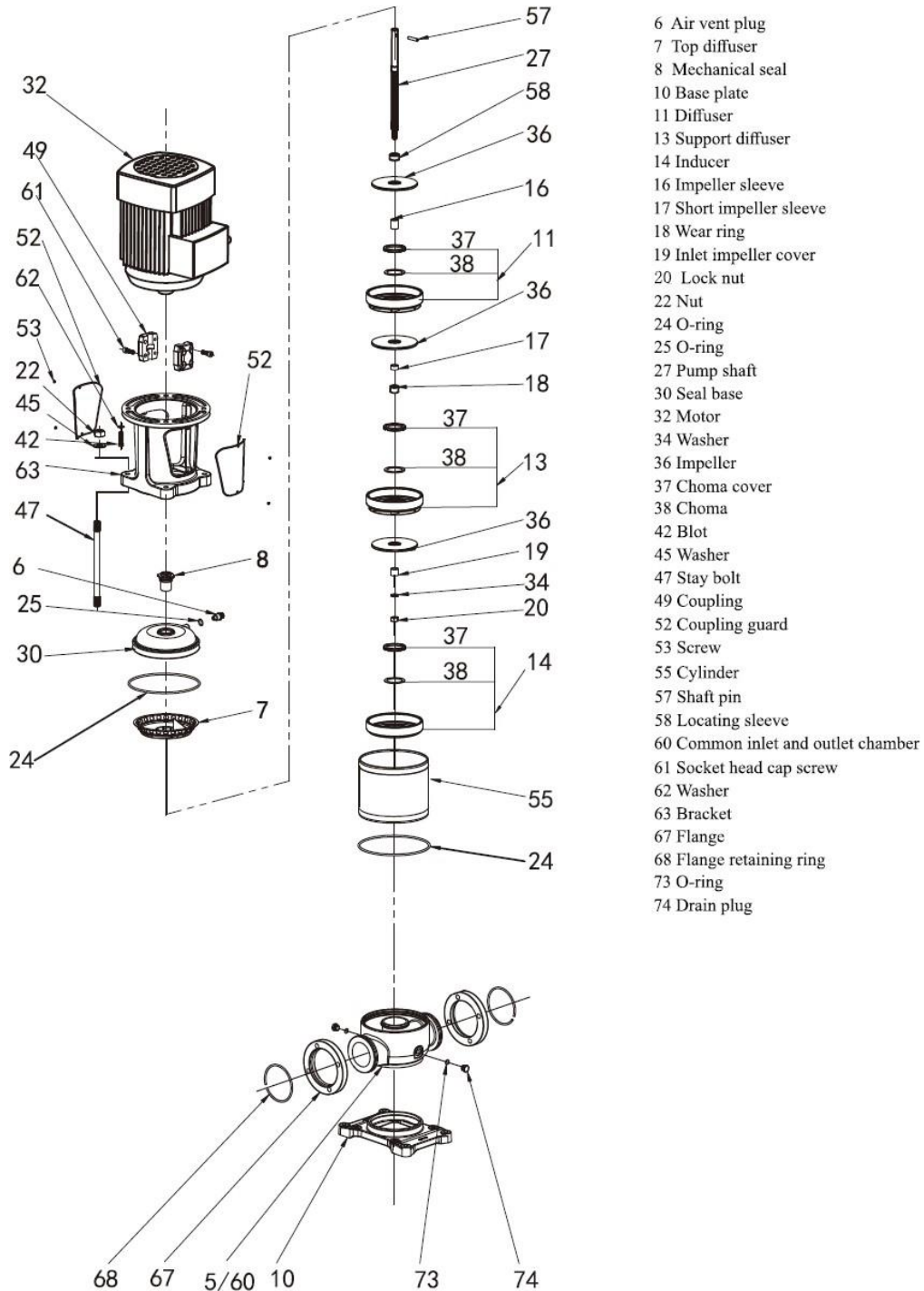
|    |                      |                                     |
|----|----------------------|-------------------------------------|
| 1  | Motor                | /                                   |
| 2  | Bracket              | Ductile Cast Iron                   |
| 3  | Seal Base            | Stainless / Ductile Cast Iron       |
| 4  | Mechanical Seal      | AS-L-16                             |
| 5  | Top Diffuser         | Stainless Steel                     |
| 6  | Diffuser             | Stainless Steel                     |
| 7  | Support Diffuser     | Stainless Steel                     |
| 8  | Coupling             | Stainless Steel                     |
| 9  | Impeller             | Stainless Steel                     |
| 10 | Cylinder             | Stainless Steel                     |
| 11 | Shaft                | Stainless Steel                     |
| 12 | Intermediate Bearing | SIC / WC                            |
| 13 | Inducer              | Stainless Steel                     |
| 14 | Inlet/Outlet Chamber | Stainless Steel / Ductile Cast Iron |
| 15 | Base                 | Ductile Cast Iron                   |

# PRODUCT DATA SHEET

SUMMIT SERIES VERTICAL MULTISTAGE

PRESSURE SWITCH KITS

BIA-1VMS10/6M-MP • 812327



## WARRANTY / CERTIFICATIONS

